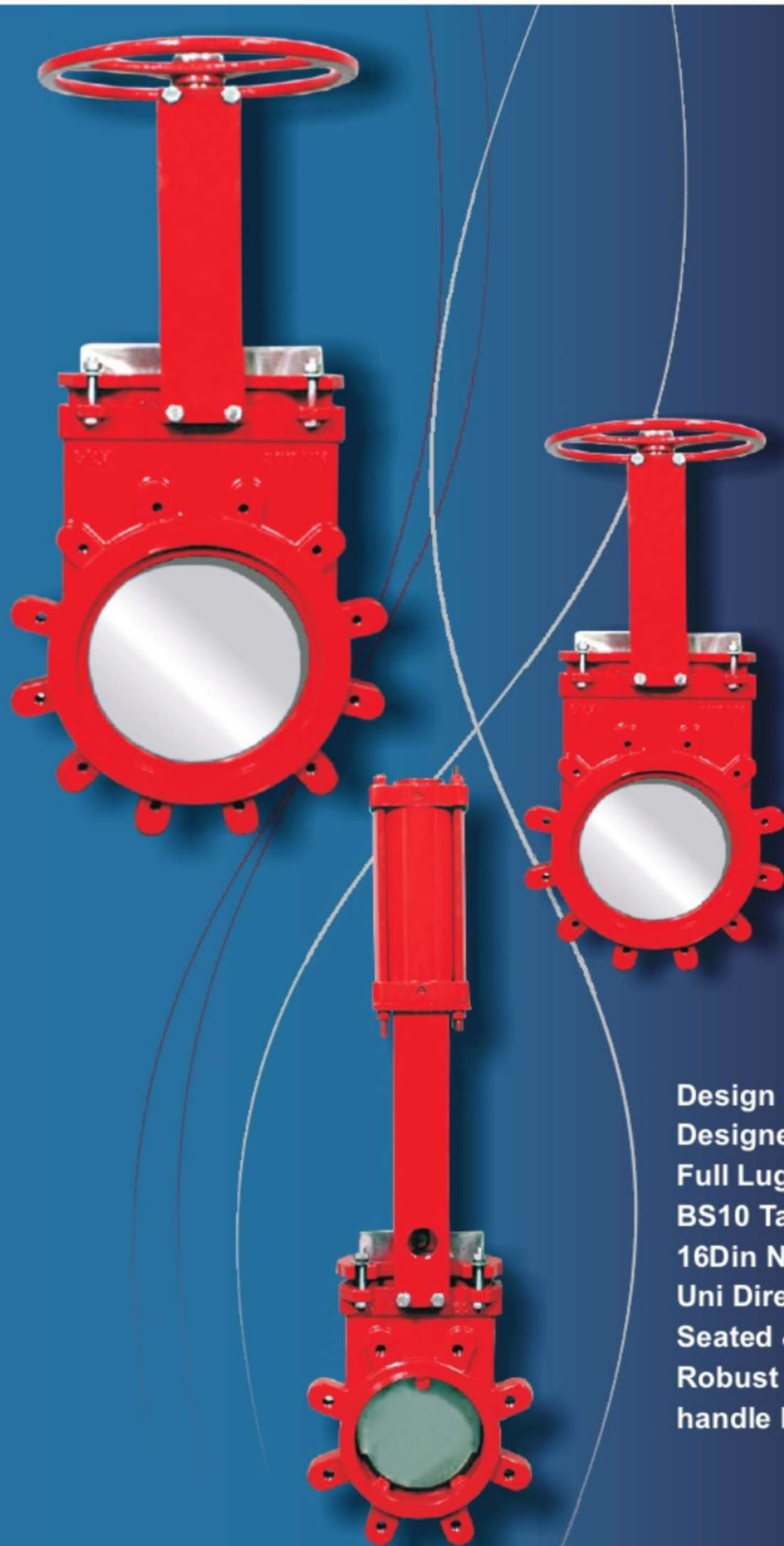




Techval Control Systems

Knife Gate Valves



Design Feature :
 Designed and Tested to Confirm MSS SP 81 Full Lug / Semi Lug Pattern to suit ANSI, BS10 Table.ASA150#,IS1538,PN10, 16Din ND10 Nd16.
 Uni Directional, Bi Directional, Metal to Metal Seated & Soft Seated with Tight Shut Off.
 Robust Body and Gate Design efficient to handle Heavy, Sticky, Dense, Abrasive Slurries

Application
 Pulp & Paper, Mining, Sludges , Molasses, Sewage, Ash, Dry Powders, Cement, Dry Solids, Chips, Coal & Carbon Black.

KNIFE GATE VALVES

TEST SPECIFICATION

Body Shell Test As per MSS SP – 81 Norms 10Kg/Cm²
 Working pressure 6Kg/Cm²

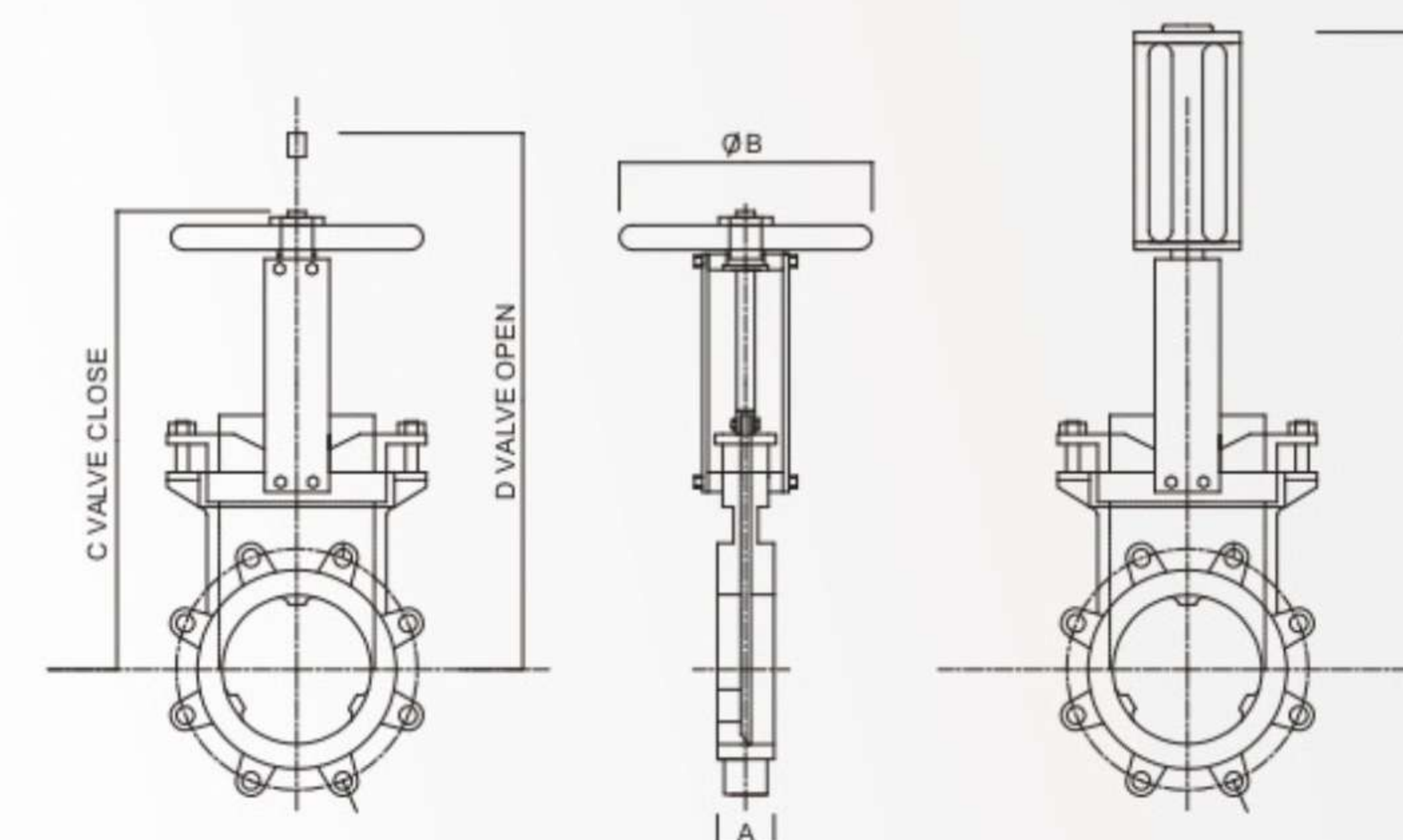
Seat Leakage Test Metal Seated Valves as per MSS SP 81 Norms & Tappi 405.
 Soft Seated Valves Zero Leakage

DIMENSIONS IN (MM)

600 NB	114	508	1340	1960	3100
500 NB	114	508	1145	1645	2580
450 NB	114	508	1095	1545	2100
400 NB	89	508	1030	1380	1960
350 NB	76	508	885	1235	1780
300 NB	76	406	770	1070	1600
250 NB	70	406	710	960	1300
200 NB	70	305	665	915	1250
150 NB	57	254	580	730	1075
125 NB	57	254	505	630	925
100 NB	51	203	330	430	730
80 NB	51	203	290	370	615
65 NB	51	203	263	228	513
50 NB	48	203	220	275	425

SIZE	A	ØB	C	D	D
------	---	----	---	---	---

Dimensions given above are indicative, please request for certified drawings for piping layout.



MATERIAL OF CONSTRUCTION [OPTIONAL]

	BODY	GATE	SPINDLE	GLAND
1.	CF8	AISI SS304	AISI SS304	CF8
2.	CF8M	AISI SS316	AISI SS316	CF8M
3.	HAST 'C'	HAST 'C'	AISI SS316	CF8M

Material Specification and Grades

Cast Iron : IS 210 Gr Fg260
 Cast Carbon Steel: ASTM A216
 Stainless Steel : ASTM A351 Gr CF8,
 ASTM A351 Gr CF8M
 HAST C : Hast Alloy Gr C.

SPECIFICATIONS

Size : 50NB – 600NB Above 600NB Consult Factory

Pressure : 150PSI.

Temperature : 0 Deg C - 1200 Deg C.

Body , Chest : Solid One piece casting of Cast Iron Fg 260
 Cast Steel Gr WCB ,CF8,CF8M.

Seat : Integral to Body, Soft, Optional.

Gate : AISI SS 304,316,316L,317,317L .

Screw Spindle : AISI SS 410,304,316.

Nut : Brass.

Yoke : Plate type of MS .

Gland Follower : Cast Iron , Cast steel , Ductile Iron ,CF8,CF8M.

Hand Wheel : Cast Iron , Cast steel , Ductile Iron

Gland Packing : PTFE , PTFE Impregnated .

Ends : Lugged.

Port : STANDARD [Round]
 Optional V Port, Diamond Port,.

